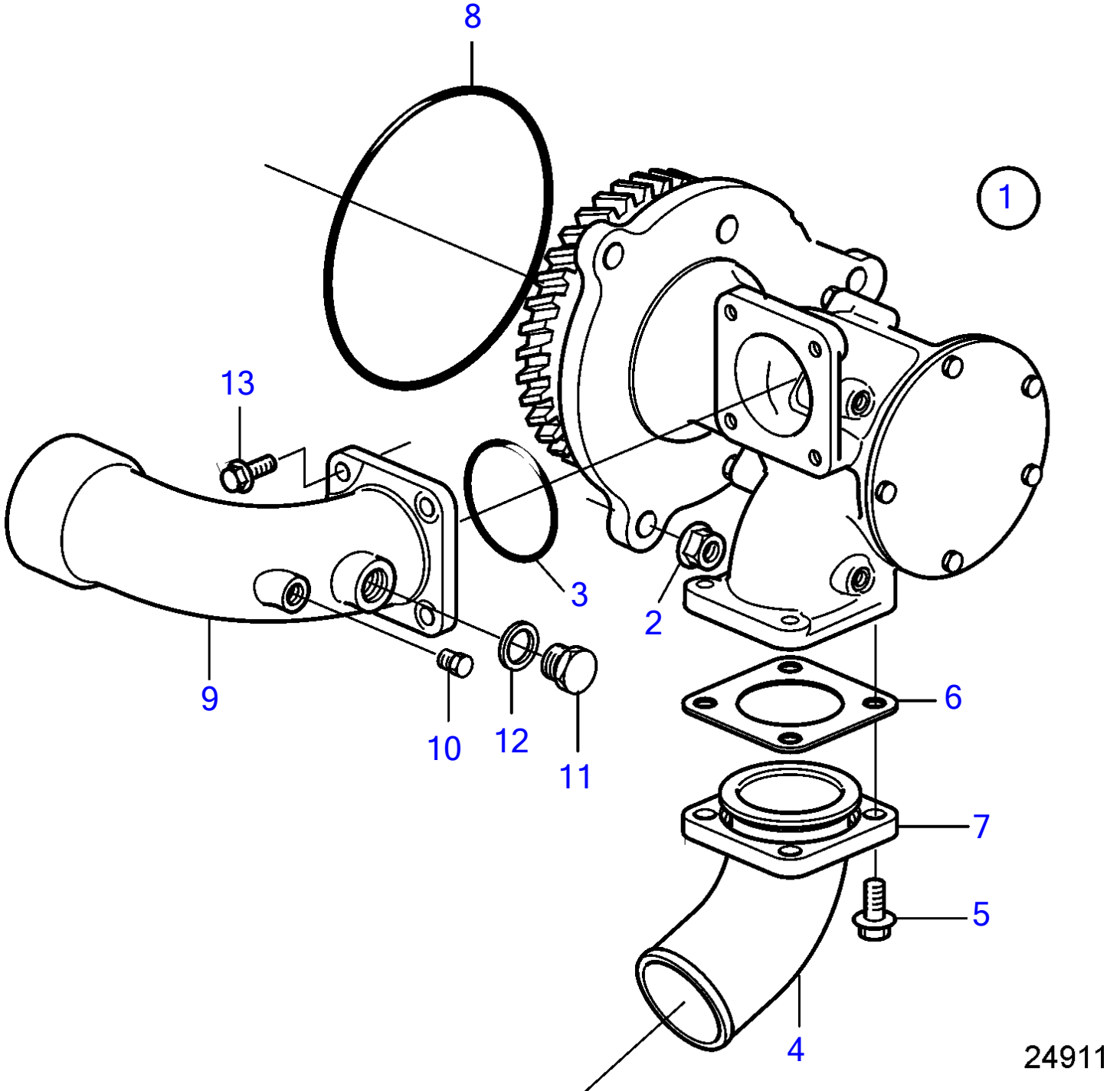


D13B-A MP, D13B-B MP, D13B-C MP, D13B-D MP, D13B-G MP, D13B-H MP



D13B-A MP, D13B-B MP, D13B-C MP, D13B-D MP, D13B-G MP, D13B-H MP

REF	PART NO.	QTY	DESCRIPTION	SEE SEC.
1	3886848	1	Sea water pump	
			.	35812
2	971096	3	Flange nut	
3	925073	1	O-ring	
4	3828559	1	Hose attachment	
5	946329	4	Flange screw	
6	862583	1	Gasket	
7	842867	1	Flange	
8	992065	1	O-ring	
9	3883781	1	Pipe	
10	981749	1	Plug	
11	982293	1	Plug	
12	11998	1	Gasket	
13	945444	4	Flange screw	